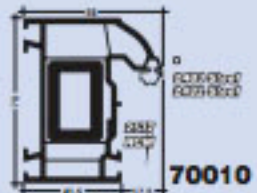
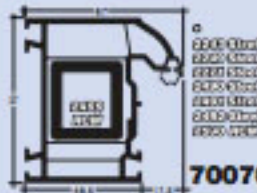

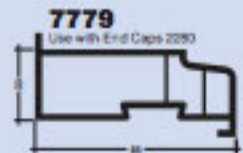
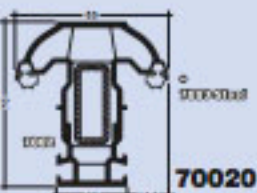
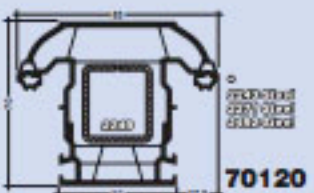
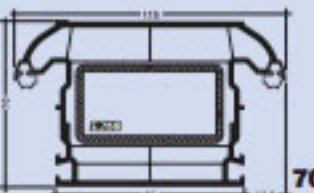
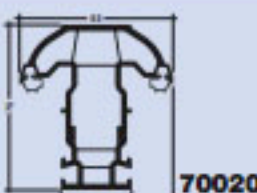


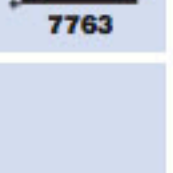

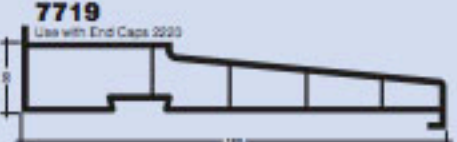

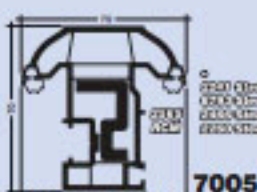



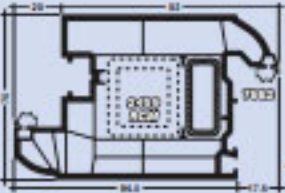
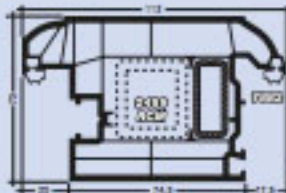
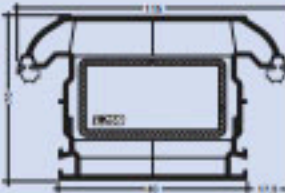
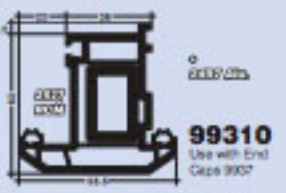


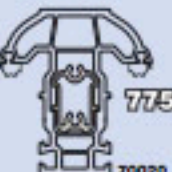
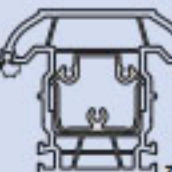
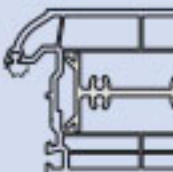
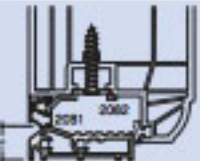
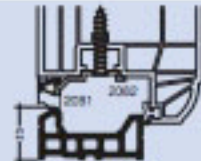
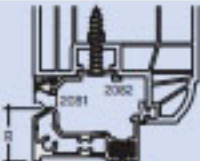






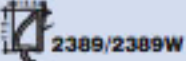
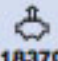






FS70 Profile Chart

OUTER FRAMES	 <p>70010</p>	 <p>70070</p>		 <p>1867</p>	 <p>7779 Use with End Caps 2020</p>	
MULLIONS/TRANSOMS	 <p>70020</p>	 <p>70120</p>	 <p>70320</p>	<p>DUMMY TRANSOM</p>  <p>70020</p>	<p>ADD-ONS</p>  <p>7726</p>  <p>7727</p>  <p>7763</p>	<p>7717 Use with End Caps 2018</p>  <p>7719 Use with End Caps 2020</p>  <p>REINFORCEMENT Reinforcement for 7779, 7717 & 7719</p> 
SASHES	 <p>70050</p>	 <p>70060</p>			<p>1818 In-line Cill Joint Moulding for 7719 155mm Cill</p>  <p>1812 90° Angle Cill Joint Moulding for 7717 155mm Cill</p> 	
DOOR PROFILES	 <p>70300</p>	 <p>70350</p>	 <p>70320</p>	 <p>99310 Use with End Caps 9007</p>		<p>1819 In-line Cill Joint Moulding for 7719 155mm Cill</p>  <p>1813 135° Angle Cill Joint Moulding for 7717 155mm Cill</p> 
TIE-BARS	 <p>7755</p>	 <p>7757</p>	 <p>7756</p>	<p>THRESHOLDS</p>  <p>2080 LOW THRESHOLD (Aluminium) Use with End Cleats 2617 or 2079</p>  <p>L2901 MEDIUM THRESHOLD (PVC-U Option) Use with End Cleats 2617 or 2079</p>  <p>2902 MEDIUM THRESHOLD (Aluminium Option) Use with End Cleats 2617 or 2079</p>		<p>FS70 FULLY SCULPTURED 70mm</p>      
BEADS	 <p>2389/2389W</p> <p>NB: 'W' suffix on bead denotes white gasket</p>	<p>SEALS</p>  <p>18370</p>  <p>1827</p>  <p>1841</p>		  <p>macdonia</p>		

*Refer to Product Catalogue for details of all reinforcement options
All profile dimensions are Nominal. DO NOT SCALE

Note: This chart is for identification purposes only and should not be used as the source for technical reference.
All information in this publication is provided for guidance only and is given in good faith. No liability is accepted for any loss or damage, whether direct or indirect, arising from the use of this information. The information does not affect your statutory rights. © PROFILE22